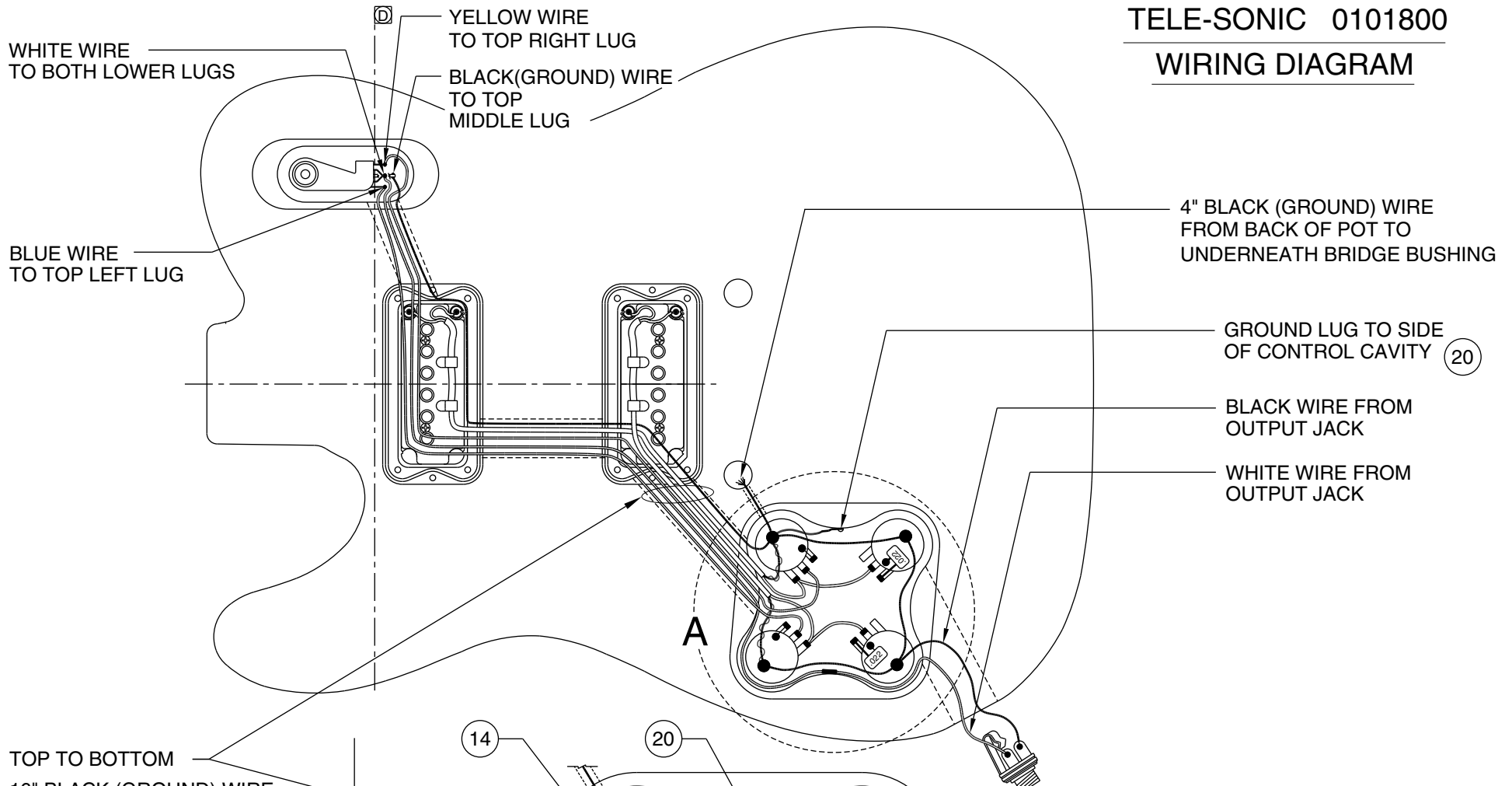
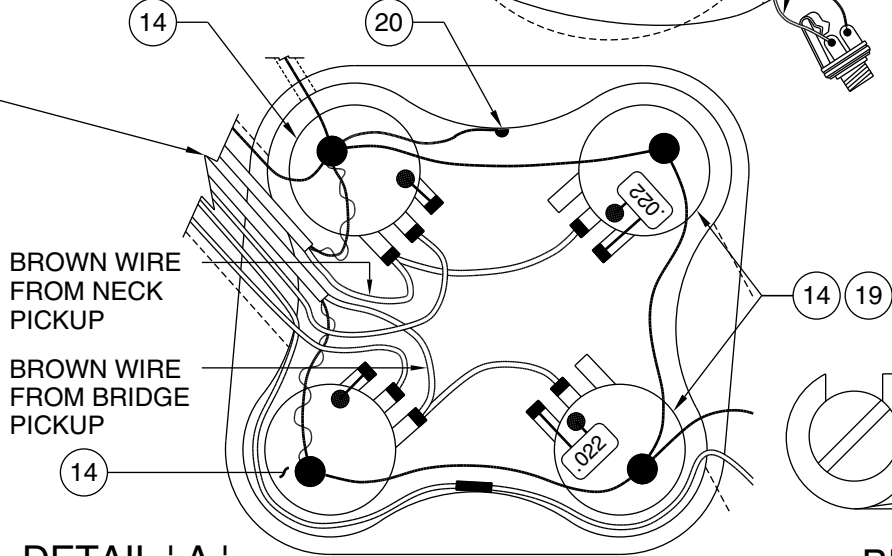


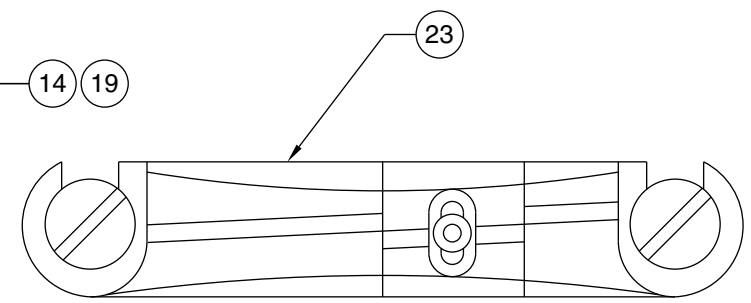
WIRING DIAGRAM



- TOP TO BOTTOM
- 16" BLACK (GROUND) WIRE FROM 3-WAY SWITCH TO BACK OF NECK VOL. POT
  - 2-CONDUCTOR CABLE (BLUE) FROM NECK PICKUP
  - 2-CONDUCTOR CABLE (BROWN) FROM BRIDGE PICKUP
  - 16" YELLOW WIRE FROM 3-WAY SWITCH TO #2 LUG OF NECK VOL. POT
  - 16" WHITE WIRE FROM 3-WAY SWITCH TO OUTPUT JACK
  - 16" BLUE WIRE FROM 3-WAY SWITCH TO #2 LUG OF BRIDGE VOL. POT



DETAIL 'A'  
N.T.S.



BRIDGE ASSEMBLY