

AMERICAN DELUXE PRECISION BASS V 0195300/5302

PICKGUARD ASSEMBLY

WHITE WIRE FROM P.C. BOARD AND OUTPUT JACK SOLDERED TOGETHER. SHRINK TUBE USED, TO AVOID SHORT CONTACT

RED WIRE FROM P.C. BOARD AND BATTERY CLIP SOLDERED TOGETHER. SHRINK TUBE USED, TO AVOID SHORT CONTACT

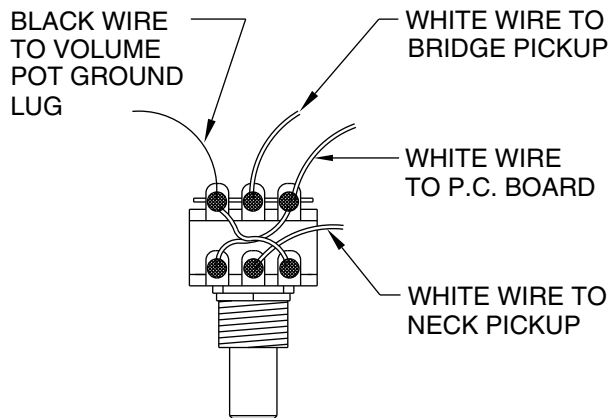
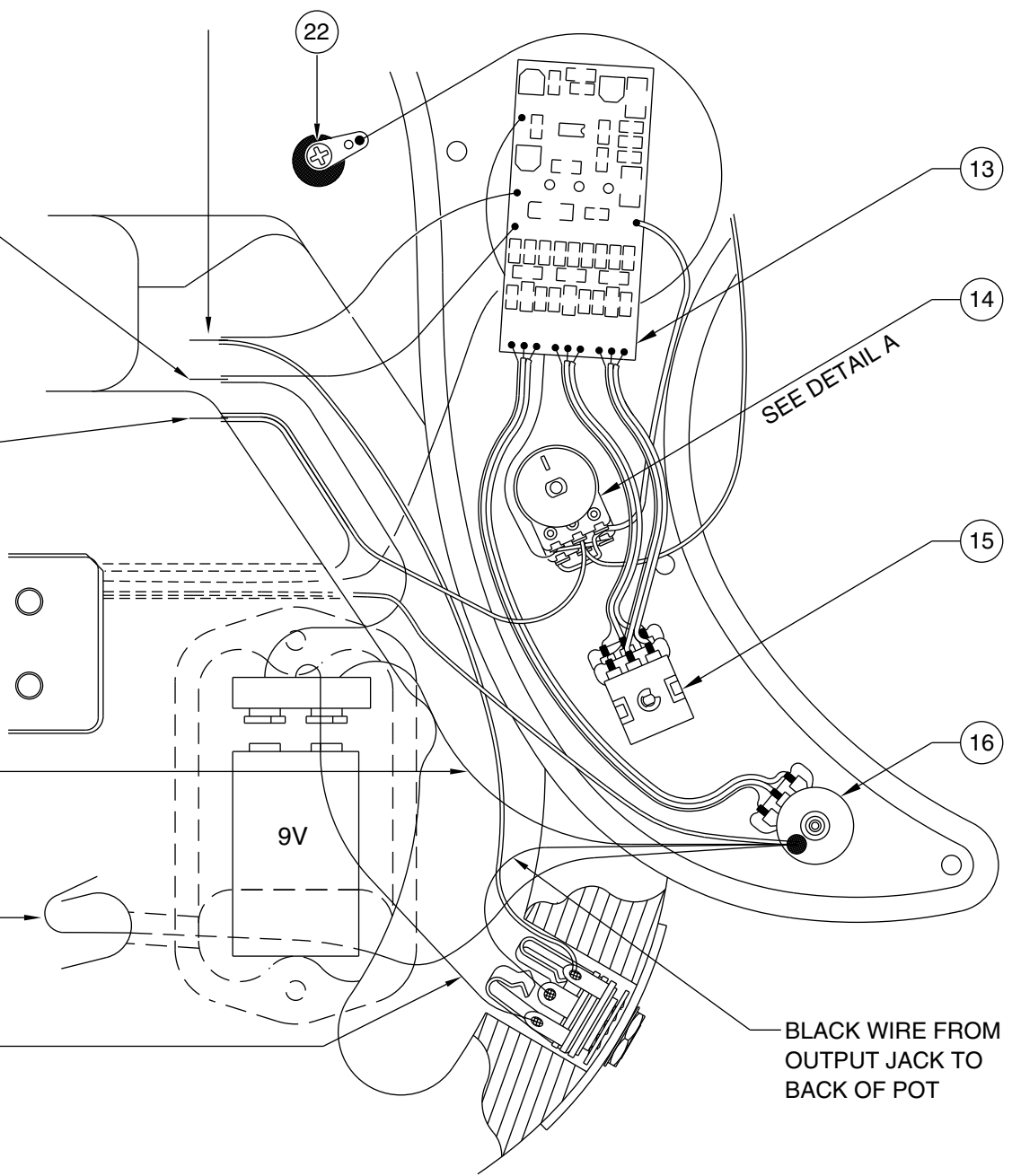
WHITE WIRE FROM BRIDGE P.U. & PAN POT SOLDERED TOGETHER. SHRINK TUBE USED, TO AVOID SHORT CONTACT

BLACK WIRE FROM BATTERY CLIP TO BACK OF POT

BLACK WIRE (GROUND) FROM UNDER BRIDGE PLATE TO BACK OF POT

BLUE WIRE FROM BATTERY CLIP TO OUTPUT JACK

SEE DETAIL A



DETAIL A

BRIDGE ASSEMBLY

